

Motic®

AE30/31

Epi-fluorescence Attachment for AE30 / 31 Inverted Microscopes

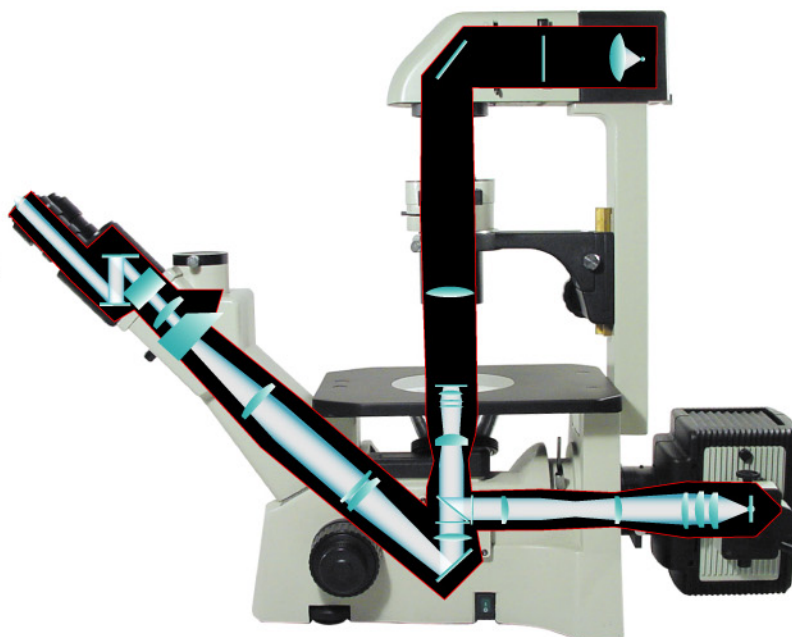
The system is exceptional at handling difficult fluorescence tasks,
rendering images with outstanding clarity and exceptional contrast



AE31+Epi-fluorescence Attachment

Combining the Motic AE30/31 CCIS optics with the unique design of epi-fluorescence attachment, a fluorescence image of excellent brightness and sharpness over an extended field of view of FN22 is achieved.

The Motic Epi-Fluorescence microscope is rapidly becoming an invaluable tool of investigation. Its advantages are upon features not readily available in other optical microscopes.



Motic Epi-Fluorescence for AE30/31 consists of:



- AZ1000032
Epi-fluorescence attachment with filter cassette
- AZ1000040
Lamphouse HBO 100W
- AZ1000041
Collector lens
- SE040527
Starter unit HBO 100W, applicable 100-220V mains supply
- SP120066
Mercury lamp socket for HBO 100W
- SG0610EW
Lamp Centering Tool
- SE060110
Mercury Lamp HG-100W
- Mains power cord

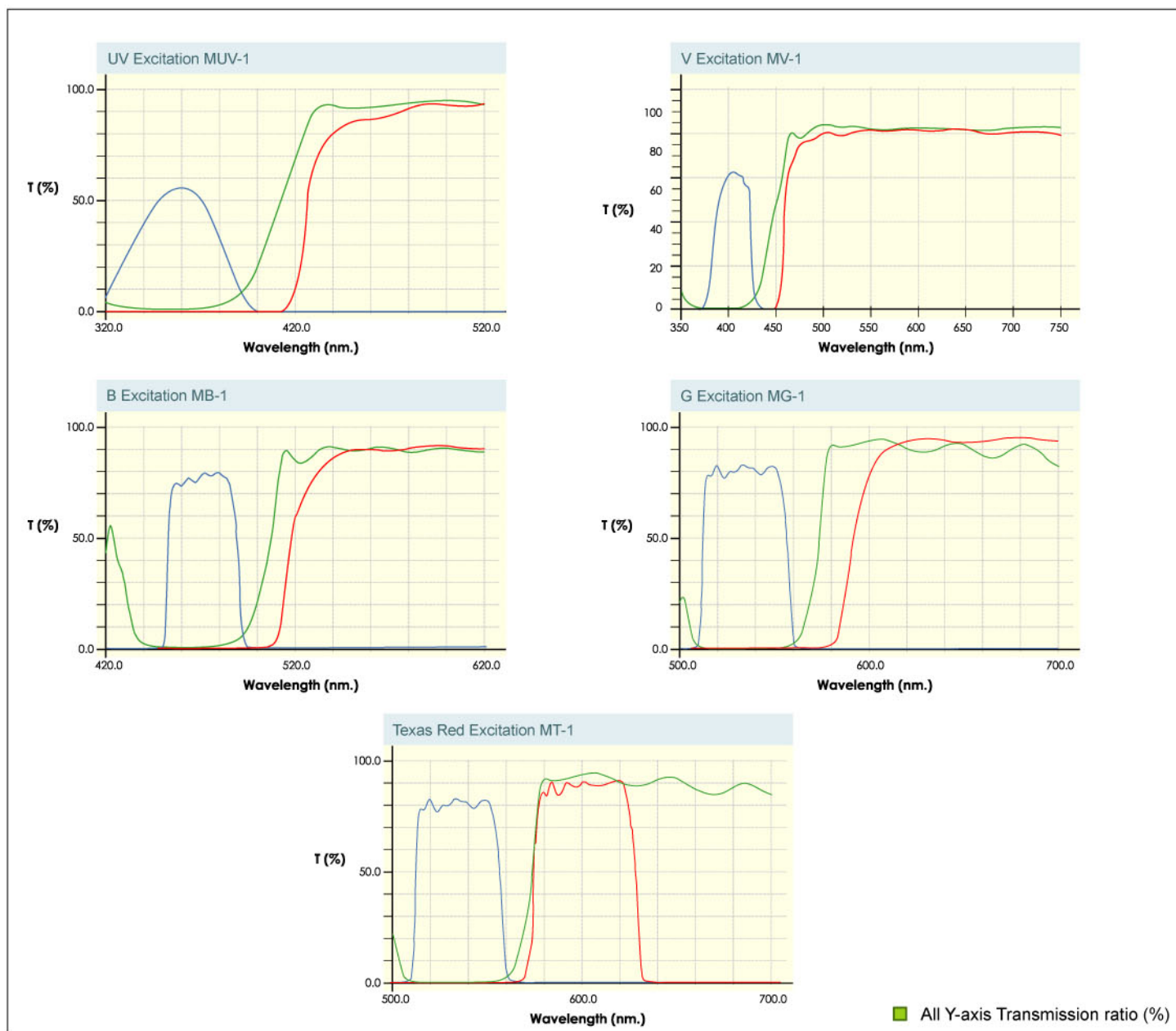
Optional Motic Filter Modules



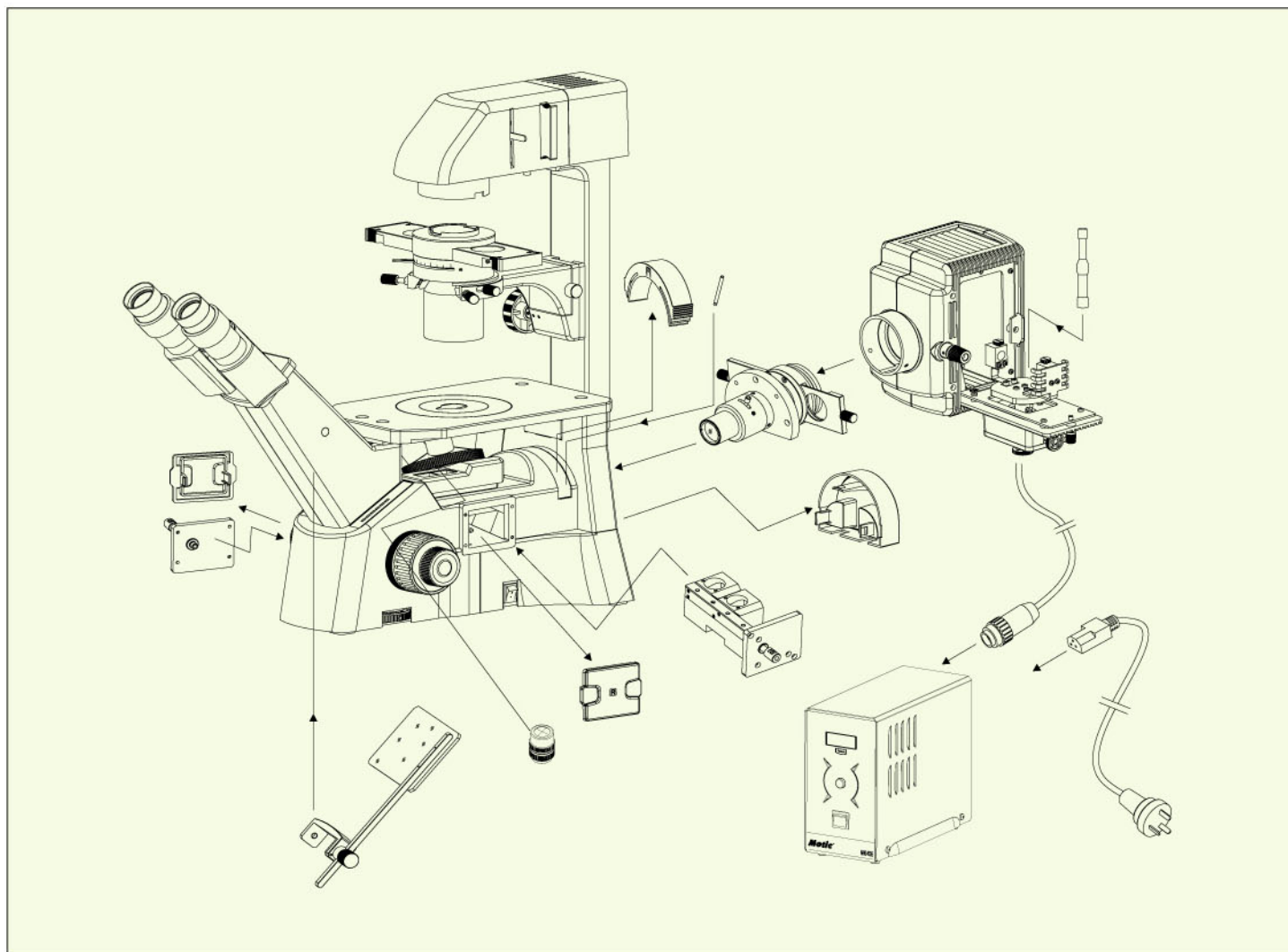
The Motic Filter Cassette can accommodate up to 2 filter modules and one position for brightfield use or for an additional filter module.

■ SG06.0786	Epi-FI Filter Block UV	MUV-1
■ SG06.0790	Epi-FI Filter Block Violet	MV-1
■ SG06.0788	Epi-FI Filter Block Blue	MB-1
■ SG06.0789	Epi-FI Filter Block Green	MG-1
■ SG06.0785	Epi-FI Filter Block Texas Red	MT-1

Examples of Characteristics of Motic Filter Blocks



Motic Epi-Fluorescence AE30/31 Assembly



Motic

URL: <http://www.motic.com>

Motic Incorporation Ltd. (HONG KONG)

Rm 2907-8, Windsor House, 311 Gloucester Road, Causeway Bay, Hong Kong

Tel: 852-2837 0888

Motic Instruments Inc. (CANADA)

180-4320 Viking Way Richmond, B.C. V6V 2L4 Canada

Tel: 1-877-977 4717

For inquiries in UK (UK)

Saracens House, 25 St. Margarets Green, Ipswich, IP4 2BN, Suffolk, UK

Tel: 44-(0)-14732 81909

Motic Deutschland GmbH (GERMANY)

Gewerbepark Spilburg, Gebäude A42 Spilburgstrasse 1 D-35578 Wetzlar Germany

Tel: 49-6441-210 010

Motic Spain, S.L. (SPAIN)

C/Pere IV, 78-84-7 Planta 08005 Barcelona Spain

Tel: 34-93-485 1841

Motic China Group Co., Ltd. Copyright © 2000-2002. All Rights Reserved

Design Change: The manufacturer reserves the right to make changes in instrument design in accordance with scientific and mechanical progress, without notice and without obligation.



Code: SP010812